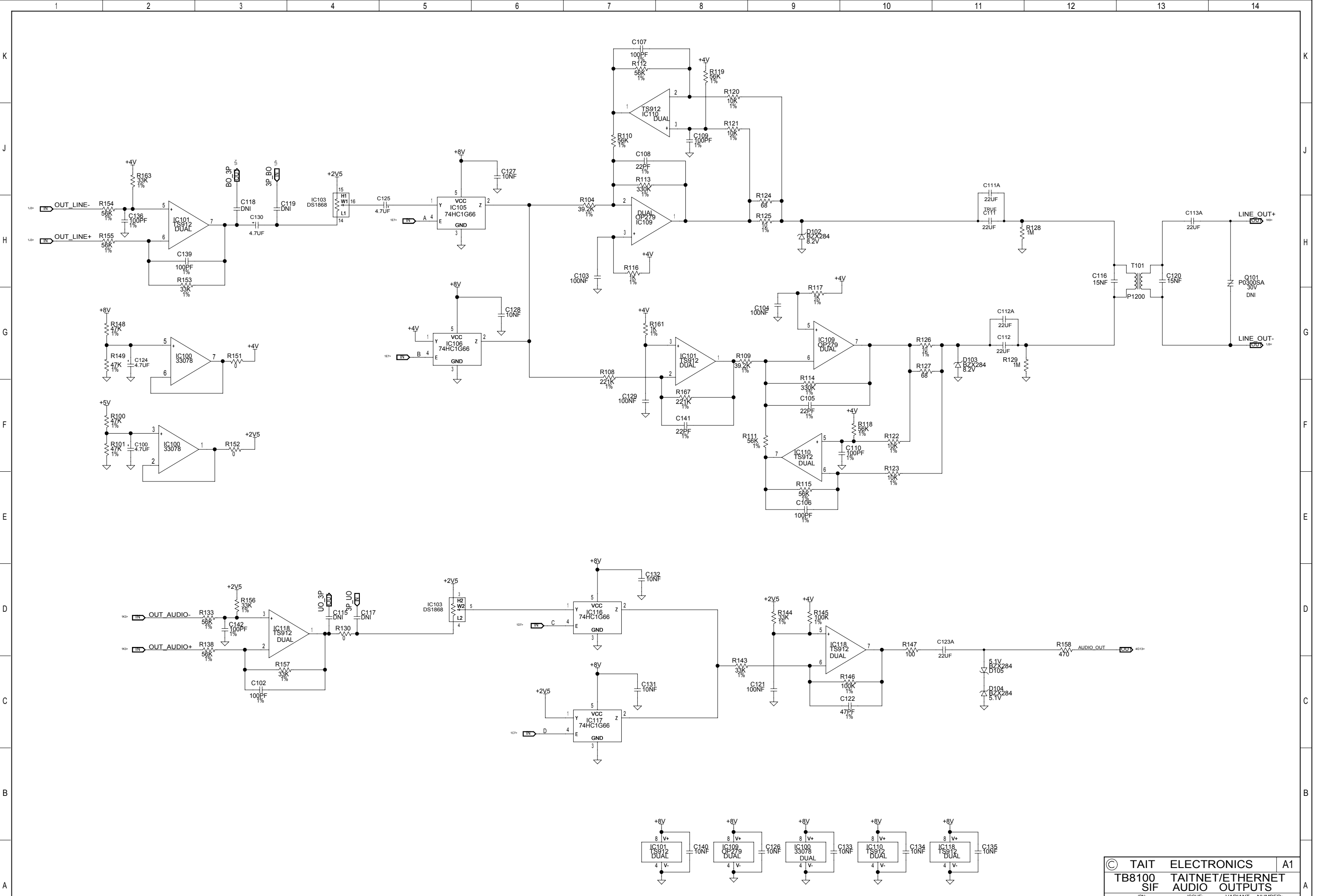


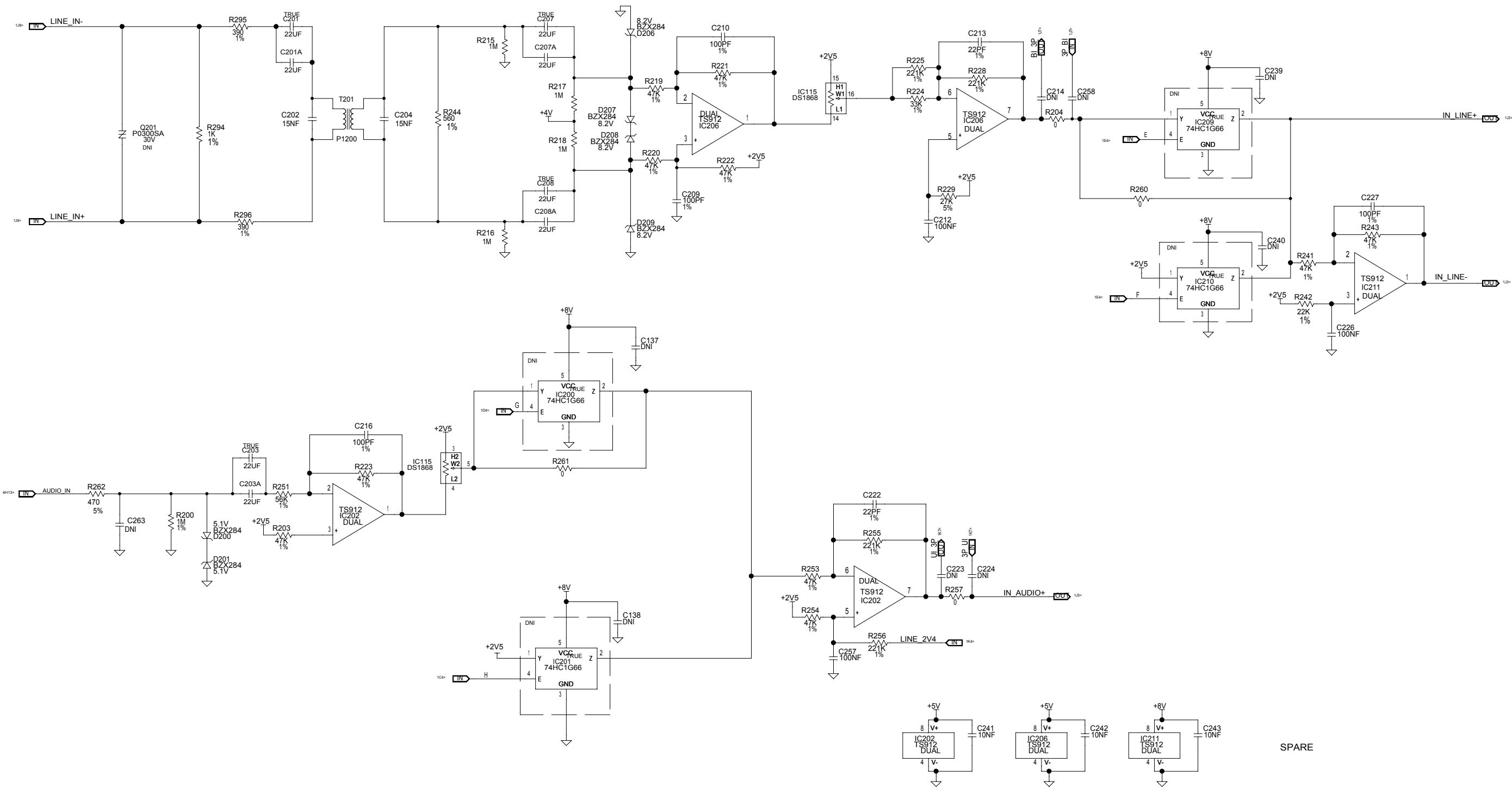
04A	ECO 101250185	TB	PHIL L	CHRIS K	S.H.	11JUL06
03A	SEE 220_02087-03_DCO.DOC	EDWIN T	PHIL L	CHRIS K	RORY C	04/04/06
02A	CORRECT ERRORS FROM FIRST SPIN	EDWIN T	PHIL L	CHRIS K	RORY C	07/12/05
01A	MODIFIED FROM 220-02054-02	EDWIN T	PHIL L	CHRIS K	S HEALD	07/09/05
REVI/ISS	AMENDMENTS	DRAWN	CHKD	D.O.	APVD	DATE

© TAIT ELECTRONICS A1  
**TB8100 TAITNET/ETHERNET SIF CONNECTORS & MISC.**  
 IPN: 220-02087-04 ISSUE: A VARIANT NUMBER: ?  
 FILE DATE: Mon Aug 14 15:02:02 2006  
 ENGINEER: P.Lagias FILE NAME: 220\_02087 SHEET NUMBER: 1 OF 5



© TAIT ELECTRONICS		A1
TB8100 TAITNET/ETHERNET SIF AUDIO OUTPUTS		
IPN: 220-02087-04	ISSUE: A	VARIANT NUMBER: ?
FILE DATE: Wed Aug 09 13:31:33 2006		
ENGINEER: P.Lagias	FILE NAME: 220_02087	SHEET NUMBER: 2 OF 5

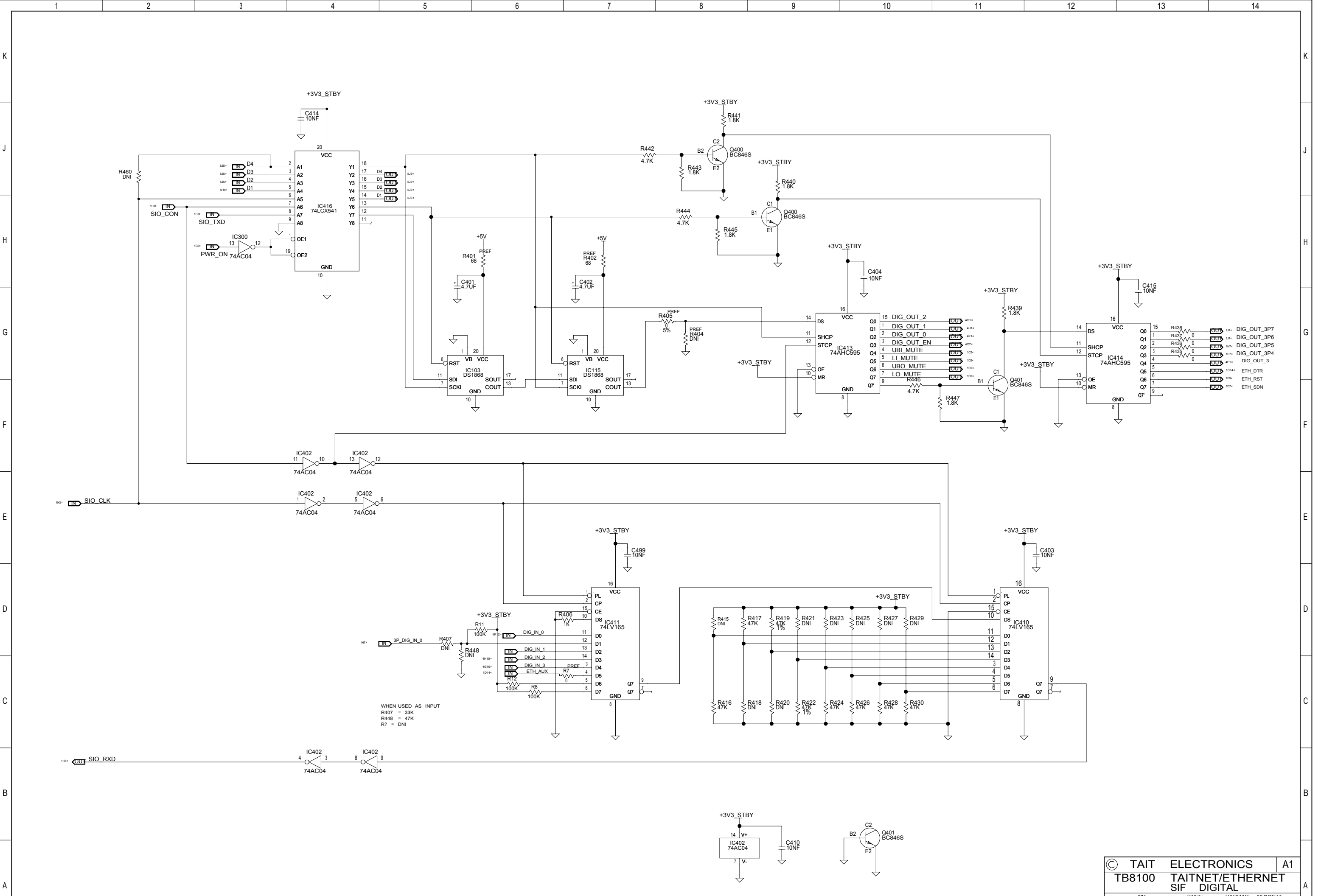
REV/ISS	AMENDMENTS	DRAWN	CHKD	D.O.	APVD	DATE
1						
2						
3						
4						
5						
6						
7						
8						
9						
10						
11						
12						
13						
14						



© TAIT ELECTRONICS		A1
TB8100 TAITNET/ETHERNET SIF AUDIO INPUTS		
IPN: 220-02087-04	ISSUE: A	VARIANT NUMBER: ?
FILE DATE: Wed Aug 09 13:31:35 2006		
ENGINEER: P.Lagias	FILE NAME: 220_02087	SHEET NUMBER: 3 OF 5

REV/ISS	AMENDMENTS	DRAWN	CHKD	D.O.	APVD	DATE
1						
2						
3						
4						
5						





WHEN USED AS INPUT  
 R407 = 33K  
 R448 = 47K  
 R? = DNI

© TAIT ELECTRONICS		A1
TB8100 TAITNET/ETHERNET SIF DIGITAL		
IPN: 220-02087-04	ISSUE: A	VARIANT NUMBER: ?
FILE DATE: Wed Aug 09 13:31:40 2006	SHEET NUMBER: 5 OF 5	
ENGINEER: P.Lagias	FILE NAME: 220_02087	

REV/ISS	AMENDMENTS	DRAWN	CHKD	D.O.	APVD	DATE
1						
2						
3						
4						
5						
6						
7						
8						
9						
10						
11						
12						
13						
14						